

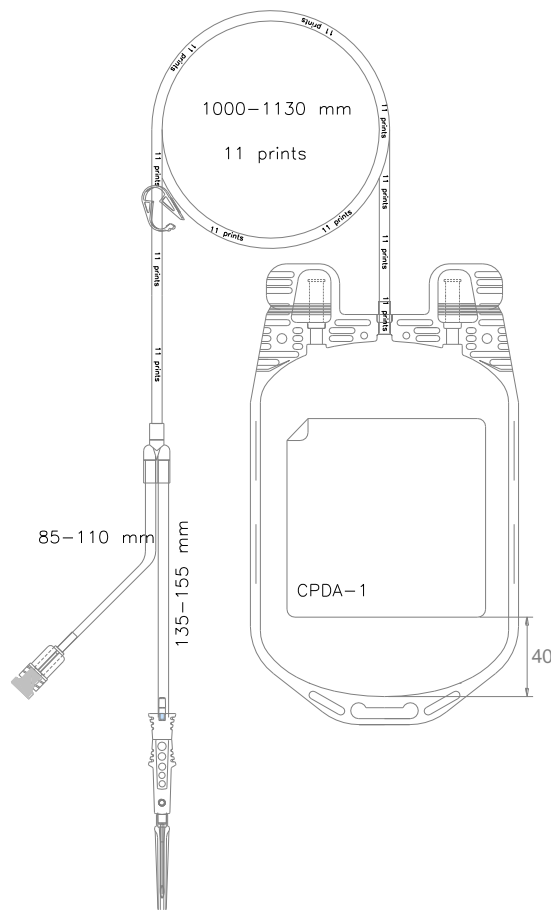


**FRESENIUS
KABI**

Technical Customer Specification

Compoflex® 1F 63 ml CPDA-1 - Luer M

Nr.:	T2118/ 30
Language(s):	GB
Page	4 of 4
Released:	3-11-2015
Shelf life:	24 months



Label:	PVC / Barcode according ISBT128B	Plastic Foil:	PVC - DEHP	Container Volume:	600 ml	Donation Volume:	450 ml
Manufacturer:	Fresenius Kabi AG, 61346 Bad Homburg, Germany	Needle:	16G - Trifacial Bevel / Retractable needle with optimized flow+ Luer M				
Sterilization:	Steam Sterilization	Package:	1 unit	Carton:	40 units	Pallet:	1200 units